



EBM-series Basket Mill

Nano grade Wet Grinding Mill

EBM-series Basket Mill

Product Introduction

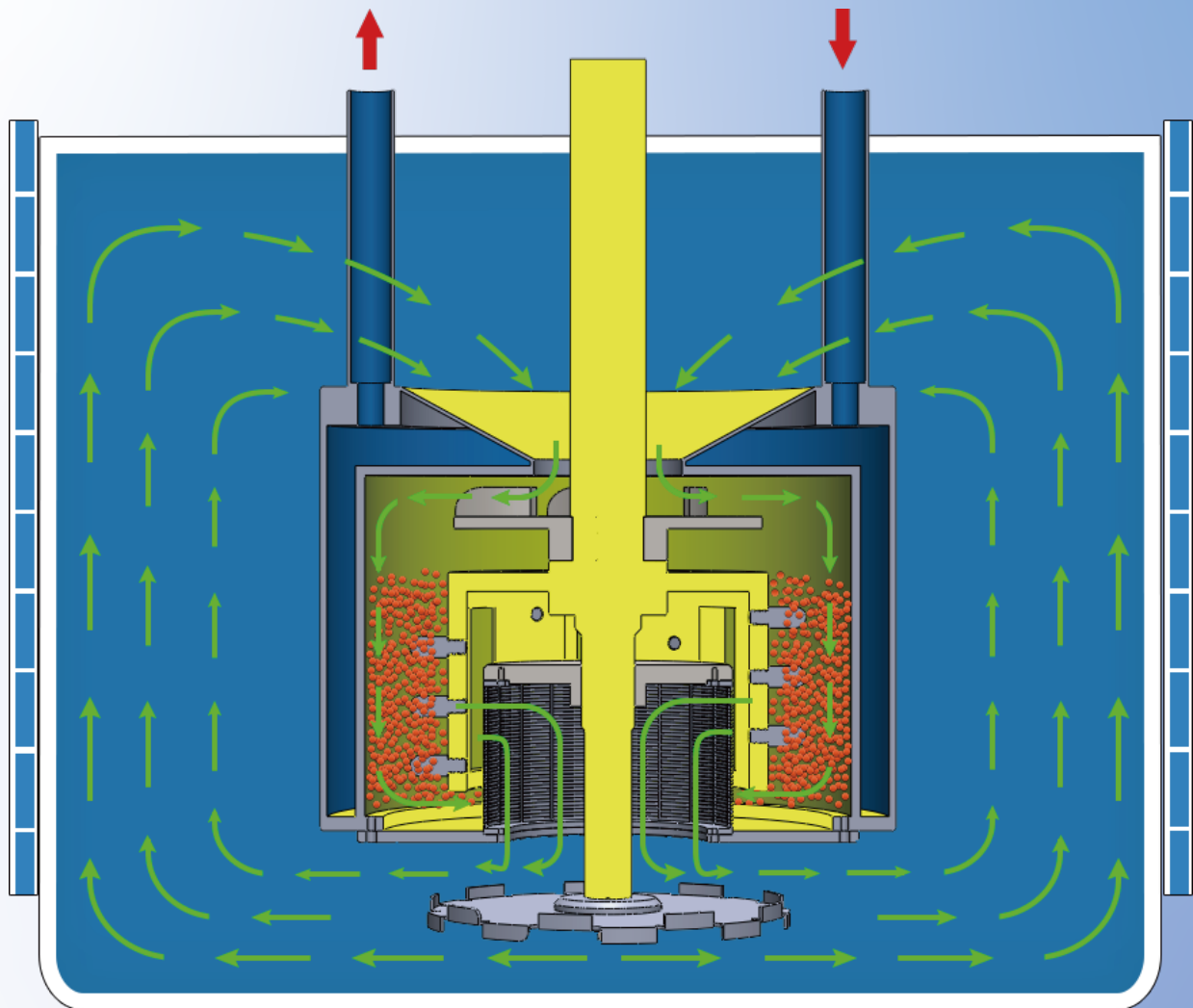
The EBM Series basket mill is a wet grinding machine which integrate dispersing and grinding together, widely used in coatings, inks, coatings, inks, colorants, pigments, dyes, pesticides and other industries. can achieve ultra-fine grinding. Unique self-absorbing impeller design, smoothly feeding, non-beads reflux no blocking beads, no breaking beads. Special smaller sieve design, which can adopt smaller grinding beads, get finer particle size and particle size distribution is narrow.

Product Features

- High performance and high energy.
- Multiple cooling system, with cooling basket and cooling container.
- Fineness can reach nanometer level,
- Special Anti-reflux device, no beads leaking.
- Unique self-absorbing impeller design, smooth feeding.
- No blocking beads, no breaking beads.
- Special smaller discharge sieve design, which can adopt smaller grinding beads, get finer particle size and particle size distribution is Narrow.
- Do Not need feeding pump, pipes and valves, no residual, high production capacity.
- Convenient to change the color and products, one machine can produce different kinds of products.
- It is flexible, easy to operation.



Internal Working Principle





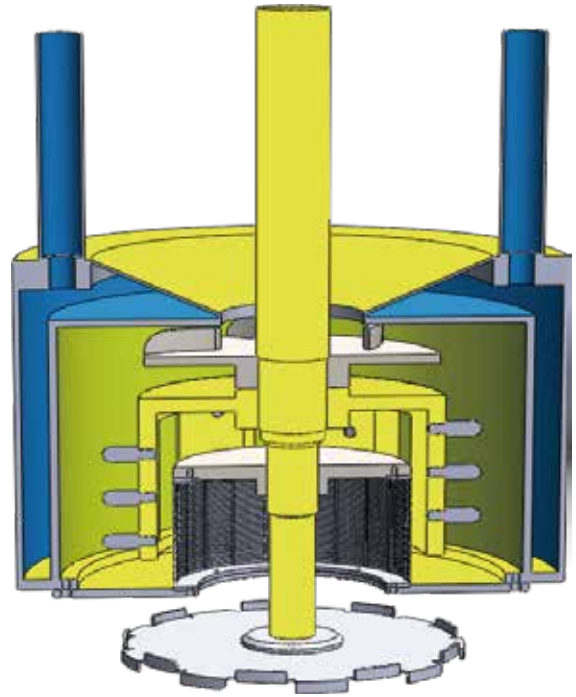
Grinding



Separation



Multi-cooling



Model	Basket volume(L)	Power(kw)	Speed(rpm)	Capacity(L)	Media(mm)	Lifting Method(mm)
EBM-0.75	0.28L	0.75	2950	2.5	0.4~2.6	Electrical
EBM-1.1	0.4L	1.1	2950	4	0.4~2.6	Electrical
EBM-2.2	0.7L	2.2	2950	8~15	0.4~2.6	Electrical
EBM-4	2L	4	2950	30~50	0.4~2.6	Electrical
EBM-7.5	4L	7.5	2400	70~150	0.4~2.6	Hydraulic
EBM-11	10L	11	1300	100L~250	0.4~2.6	Hydraulic
EBM-15	12L	15	1300	150L~350	0.4~2.6	Hydraulic
EBM-18.5	14L	18.5	1200	200~400	0.4~2.6	Hydraulic
EBM-22	16L	22	1200	200~500	0.4~2.6	Hydraulic
EBM-30	22L	30	1150	250~600	0.4~2.6	Hydraulic
EBM-37	30L	37	1000	400~800	0.4~2.6	Hydraulic
EBM-45	40L	45	900	500~1000	0.4~2.6	Hydraulic
EBM-55	55L	55	830	800~1300	0.4~2.6	Hydraulic

Application Fields



PAINT:



INK:



PASTE:



PESTICIDE SUSPENSION:



PIGMENT:



ELECTRONIC MATERIALS:



CHOCOLATE SYRUP:



NANOMATERIALS:

Electrical Lifting Basket Mill



Manual Lifting Basket Mill



Shanghai ELE Mechanical&Electrical Equipment Co.,Ltd.

ELE Company locates at No.11 Songfu Road, Qingpu Industrial Area, Qingpu District, Shanghai, China, Adjacent to Hongqiao international Airport, Superior geographical location, aviation, high-speed rail traffic is very convenient, shanghai-chongqing high-speed, shanghai-chang high-speed land transportation is convenient. Provide the convenience service for production base visiting, technical discussing and business negotiations...etc



Wechat Public Number

Address: no. 11 songfu road, qingpu district, Shanghai (near hongqiao airport)

Email : Sale@elemix.cn
Fax:86-21-65444615

Web : www.ele-mix.com
www.elemix.cn

TEL : 0086-21-55387553
0086-21-55380043